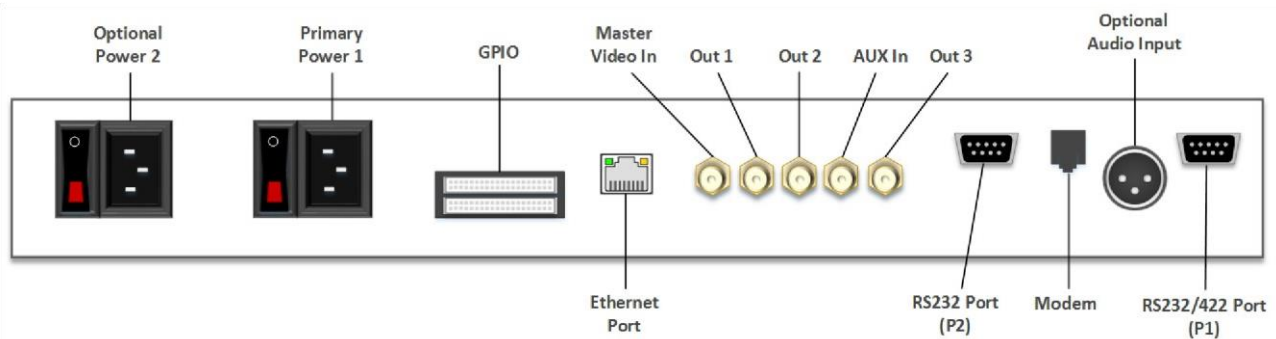


CC260 Subtitle Hub: Data Sheet

Product Overview

The CC260 Subtitle Hub provides access to EEG’s iCap™ network for legacy caption encoders. The CC260 works just like any other EEG iCap™ encoder from a captioner’s point of view, but it outputs caption data via TCP/IP and RS-232 to non-iCap™ encoders, rather than encoding closed captions into SDI video.

Rear Panel



Primary Power 1	AC power input, 120 – 240 V, 50-60 Hz tolerant. Connects to the unit’s AC power source. Corresponding switch powers unit on or off.
Optional Power 2	AC power input, 120 – 240 V, 50-60 Hz tolerant. Connects to the unit’s AC power source (second power supply does not come standard).
GPI In & Out	Two blocks of 8 GPI input switches and 8 GPI output notifications. Switch functions vary based on software configurations.
Ethernet Port	Connects the encoder to your local network for access to the web interface and TCP/IP caption data output. The encoder is accessible on your network via the static or DHCP IP address set in the front panel configuration menu.
Master Video In	Input for program video source - can use 3G-SDI, HD-SDI, or SD-SDI
Out 1	Unused
Out 2	Unused
AUX In	Unused
Out 3	Unused
RS232 Port P2	Serial output mirroring iCap™ caption data input
Modem	Unused
Optional Audio Input	Can be used to provide analog or AES digital audio input for iCap™
RS232/422 Port P1	Unused



Hardware Specs

HD-SDI Video Inputs

Number of Inputs	1
Connector	BNC per IEC 169-8
Format	3G (SMPTE 424M), HD (SMPTE 292M), and SD (SMPTE 259M, 344M)
Input Level	800 mV p-p \square 10%
Input Impedance	75 Ohms
Equalization	Automatic up to 100m @ 3 Gb/s with Belden 1694 or equivalent

DATA PORTS

LAN	RJ45 connector, 10/100/1000 BASE-T
USB	One standard USB ports on front panel
Serial Ports	One serial DB-9 RS-232 port
Serial Data Input Format	8 data bits, no parity, 1 stop bit, settable from 1200-38400 baud
GPI/GPO	Two ports which each mate to female IDC-16 connectors, switches rated to 1A / 30 VDC

AUDIO PORTS

Port 1	Optional program audio input for iCap™
Connector	Female XLR
Format	Balanced analog or AES balanced 110-ohm digital

FRONT PANEL

Display	Back-lit LCD display with six-button keypad and navigable menus for unit configuration
Power	Unit power switch with LED indicator

PHYSICAL

Dimensions	19" rack mount x 1 RU x 9" deep
------------------	---------------------------------

ELECTRICAL

Power Supply	115/230V AC 50/60Hz
Power Consumption	13W

Copyright © 2020 EEG Video
All Rights Reserved.